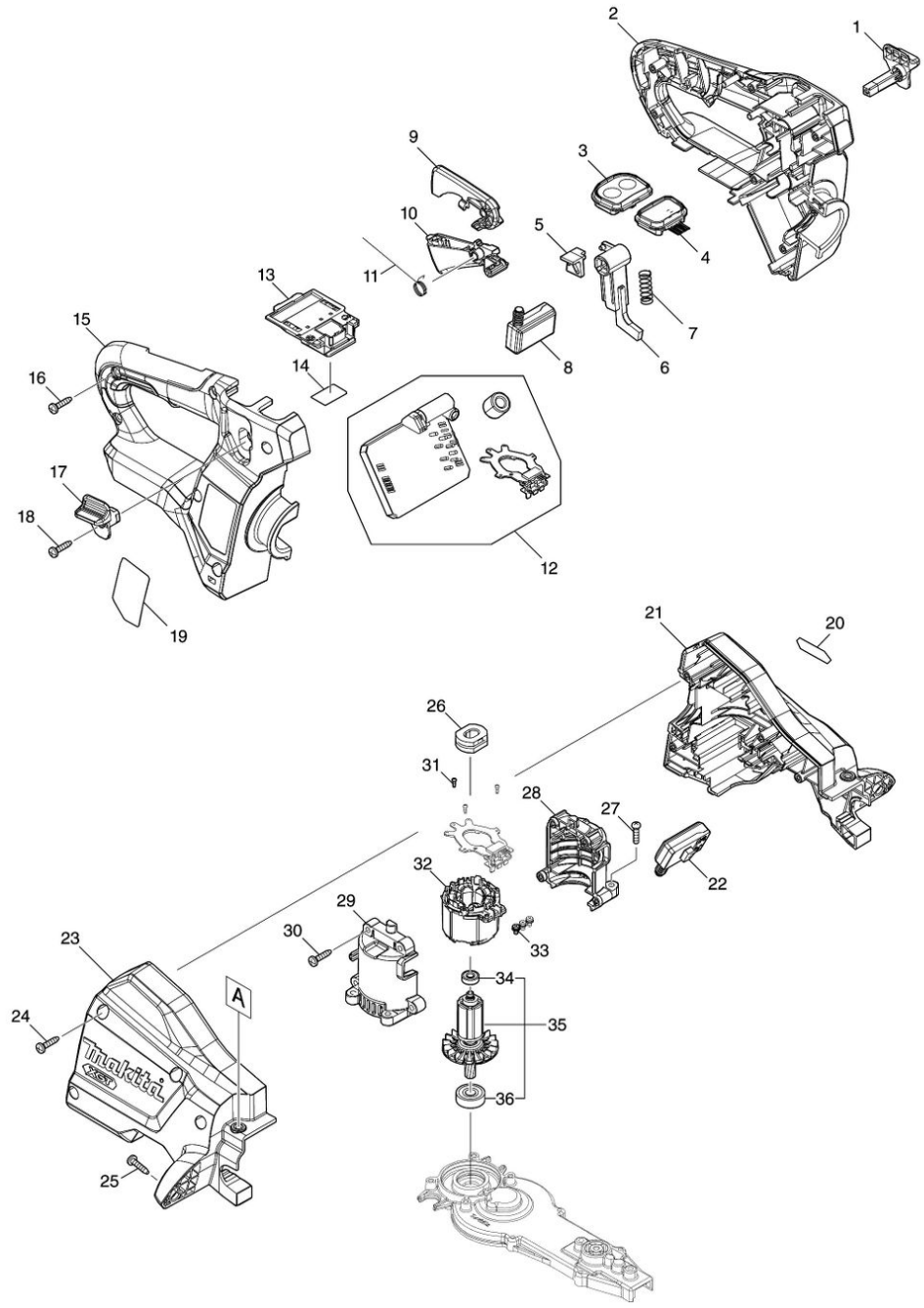


6/7/2021

MAKITA SERVICE INFORMATION

Model No.UH006G 600MM CORDLESS HEDGE TRIMMER



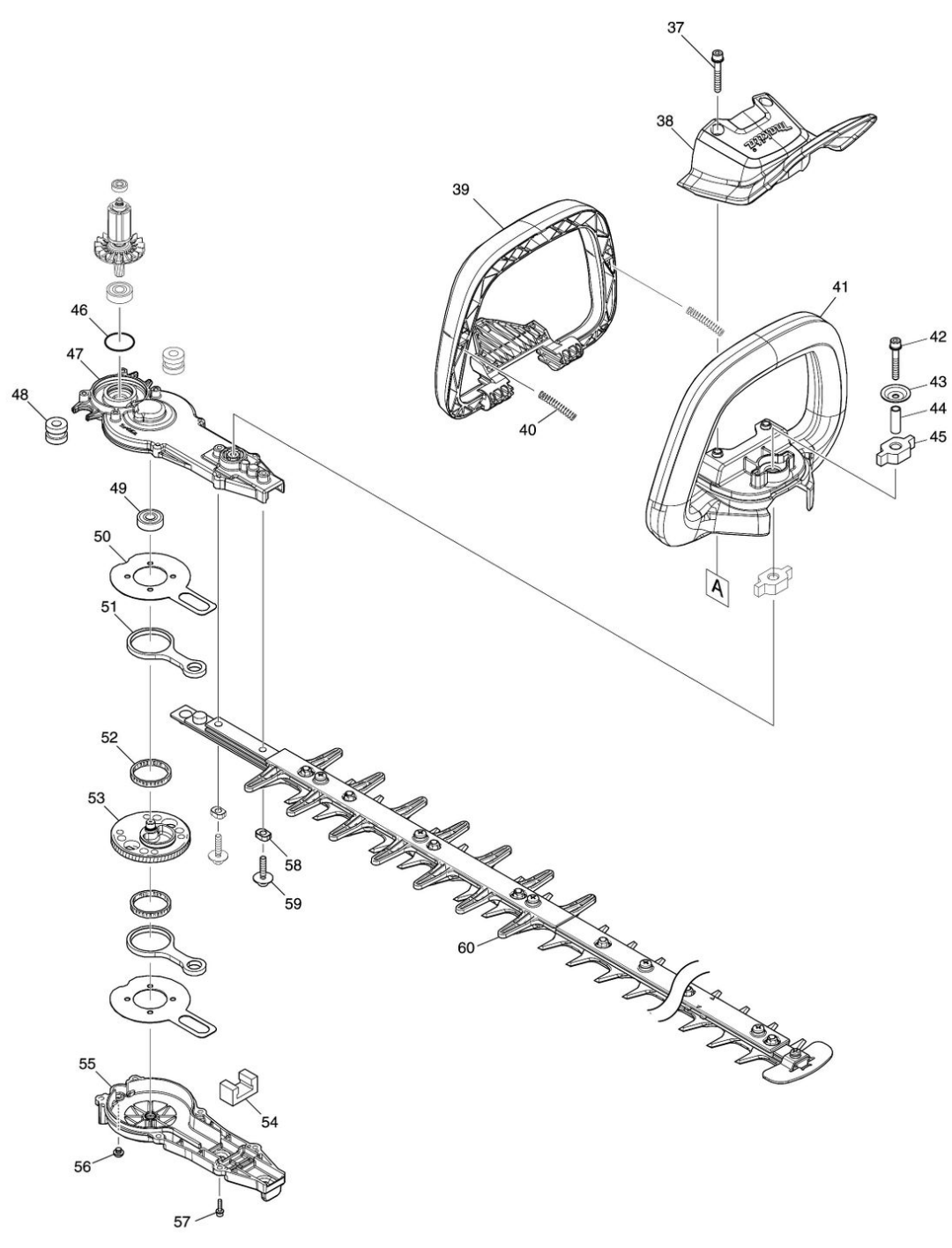
| Nr. | Part nr. | Name |
|--------|----------|------------------------------|
| 001 | 458406-0 | Blokkeerhendel L DUH501 |
| 002 | 183T66-6 | Handgreepset UH004G |
| 002C10 | 263005-3 | Rubber Pen 6 AC320H P |
| 002C20 | 8034N8-3 | Label Let op UH007G |
| 003 | 141D66-6 | Schakelcircuit E UH004-009G |
| 003C10 | 8034K3-2 | Label A/U UH007G |
| 004 | 140W63-3 | Circuit UX01G |
| 005 | 458570-7 | Schuifplaat DUH501 |
| 006 | 458405-2 | Blokkeerarm DUH501 |
| 007 | 234204-4 | Drukveer 8 Ht2350D |
| 008 | 651083-9 | Schakelaar C3Xa-1Pspm Dsp600 |
| 009 | 458403-6 | Deblokkeer handel DUH501 |
| 010 | 413792-6 | Schakelhendel R UH004-009G |
| 011 | 232454-5 | Torsieveer 10 DUH501 |
| 012 | 620E56-3 | Controller UH006/7G P |
| 012C10 | 688163-8 | Lijn Filter Bfs441 |
| 012C20 | 688164-6 | Lijn Filter CI102D |
| 013 | 632P64-8 | Aansluitunit HR001G |
| 014 | 811J28-1 | Label serienr UH006G |
| 015 | 183T66-6 | Handgreepset UH004G |
| 015C10 | 263005-3 | Rubber Pen 6 AC320H P |
| 015C20 | 8034N8-3 | Label Let op UH007G |
| 016 | 266326-2 | Tap Schroef 4X18mm P |
| 017 | 458407-8 | Blokkeerhendel R DUH501 |
| 018 | 266326-2 | Tap Schroef 4X18mm P |
| 019 | 811J22-3 | Naamplaat UH006G |
| 020 | 8025F3-0 | Label XGT UX01G |
| 021 | 183S95-3 | Motorhuisset UH004-009G |
| 021C10 | 424344-8 | Stootbuffer Ms246.4 |
| 022 | 651083-9 | Schakelaar C3Xa-1Pspm Dsp600 |
| 023 | 183S95-3 | Motorhuisset UH004-009G |
| 023C10 | 424344-8 | Stootbuffer Ms246.4 |
| 024 | 266326-2 | Tap Schroef 4X18mm P |
| 025 | 266326-2 | Tap Schroef 4X18mm P |
| 026 | 422261-6 | Rubber bus DUH501 |
| 027 | 911128-8 | Schroef 4X16 P |
| 028 | 183S94-5 | Motorhuisset UH004-009G |
| 029 | 183S94-5 | Motorhuisset UH004-009G |
| 030 | 266326-2 | Tap Schroef 4X18mm P |
| 031 | 266490-9 | Parker Ck 2X6Mm DDF483 P |
| 032 | 629A75-2 | Anker UH004-009G |
| 033 | 652069-6 | Kruiskop Schroef M3X6 |
| 034 | 211157-4 | Kogellager 695ZZ A |
| 035 | 519695-3 | Anker assy UH006/7G |
| 036 | 210005-4 | Kogellager 608Ddw A |
| 037 | 265182-7 | Schroef 5X25 DUH501 P |

| Nr. | Part nr. | Name |
|--------|----------|--------------------------------|
| 038 | 458399-1 | Beschermerkap DUH501 |
| 039 | 458402-8 | Schakelaarhandel F DUH501 |
| 040 | 233222-9 | Drukveer 5 DUH501 |
| 041 | 413791-8 | Handgreep E UH004-009G |
| 042 | 251476-6 | Inbusbout M5X35Mm P |
| 042-1 | 265D13-4 | Inbusbout M5X35Mm A |
| 043 | 253416-0 | Komring 10 DUH501 |
| 044 | 257678-2 | Bus 6 DUH501 |
| 045 | 422260-8 | Rubber bus 8 DUH501 |
| 046 | 213961-7 | O-Ring 22 Hm111Cc |
| 047 | 141C50-5 | Tandwielhuis cpl UH006/7G |
| 047C10 | 263002-9 | Rubber Pen 4 6413 A |
| 047C20 | 424344-8 | Stootbuffer Ms246.4 |
| 048 | 422725-0 | Asbus 8 UH004-009G |
| 049 | 210046-0 | Kogellager 608Zz A |
| 050 | 347361-0 | Frictieplaat DUH501 |
| 051 | 347662-6 | Verbindingsbus DUH604S/754S |
| 052 | 212229-8 | Naaldlager 315 DUH604S/754S |
| 053 | 141C49-0 | Tandwiel cpl UH006/7G |
| 054 | 443159-4 | Afdichting Eh7500S |
| 055 | 141C46-6 | Tandwielhuiskap cpl UH004-009G |
| 056 | 266559-9 | Zeskant bout M6x4 |
| 057 | 922128-3 | Inbusbout M4X16 |
| 058 | 257859-8 | Bus 5 UH006/7G |
| 059 | 265A89-3 | Inbusbout M5x255mm DUN500W |
| 060 | 191R55-5 | Messenset UH006G |
| 060C10 | 199450-5 | Multifunctioneel Vet tube 80g |
| 060C20 | 413794-2 | Geleider R UH007G |
| 060C30 | 413795-0 | Afstandbus R UH006G |
| 060C40 | 915211-3 | Met.Schr. M5X12Mm Ht2350D |
| 060C50 | 347B07-0 | Stootneus Ht5510/Uh45/55/65 |
| 060C60 | 911208-0 | Kruiskopschroef M5X10 A |
| 060C70 | 265C92-6 | Moer M5X8 UH006G/007G |
| 060C80 | 257899-6 | Bus 5mm UH006G/007G |
| 060C85 | 253553-0 | Sluistring 5 UH006G/007G |
| 060C90 | 265C91-8 | Met.schr. M5x22mm UH006G/007G |

6/7/2021

MAKITA SERVICE INFORMATION

Model No.UH006G 600MM CORDLESS HEDGE TRIMMER



| Nr. | Part nr. | Name |
|--------|----------|------------------------------|
| 001 | 458406-0 | Blokkeerhendel L DUH501 |
| 002 | 183T66-6 | Handgreepset UH004G |
| 002C10 | 263005-3 | Rubber Pen 6 AC320H P |
| 002C20 | 8034N8-3 | Label Let op UH007G |
| 003 | 141D66-6 | Schakelcircuit E UH004-009G |
| 003C10 | 8034K3-2 | Label A/U UH007G |
| 004 | 140W63-3 | Circuit UX01G |
| 005 | 458570-7 | Schuifplaat DUH501 |
| 006 | 458405-2 | Blokkeerarm DUH501 |
| 007 | 234204-4 | Drukveer 8 Ht2350D |
| 008 | 651083-9 | Schakelaar C3Xa-1Pspm Dsp600 |
| 009 | 458403-6 | Deblokkeer handel DUH501 |
| 010 | 413792-6 | Schakelhendel R UH004-009G |
| 011 | 232454-5 | Torsieveer 10 DUH501 |
| 012 | 620E56-3 | Controller UH006/7G P |
| 012C10 | 688163-8 | Lijn Filter Bfs441 |
| 012C20 | 688164-6 | Lijn Filter CI102D |
| 013 | 632P64-8 | Aansluitunit HR001G |
| 014 | 811J28-1 | Label serienr UH006G |
| 015 | 183T66-6 | Handgreepset UH004G |
| 015C10 | 263005-3 | Rubber Pen 6 AC320H P |
| 015C20 | 8034N8-3 | Label Let op UH007G |
| 016 | 266326-2 | Tap Schroef 4X18mm P |
| 017 | 458407-8 | Blokkeerhendel R DUH501 |
| 018 | 266326-2 | Tap Schroef 4X18mm P |
| 019 | 811J22-3 | Naamplaat UH006G |
| 020 | 8025F3-0 | Label XGT UX01G |
| 021 | 183S95-3 | Motorhuisset UH004-009G |
| 021C10 | 424344-8 | Stootbuffer Ms246.4 |
| 022 | 651083-9 | Schakelaar C3Xa-1Pspm Dsp600 |
| 023 | 183S95-3 | Motorhuisset UH004-009G |
| 023C10 | 424344-8 | Stootbuffer Ms246.4 |
| 024 | 266326-2 | Tap Schroef 4X18mm P |
| 025 | 266326-2 | Tap Schroef 4X18mm P |
| 026 | 422261-6 | Rubber bus DUH501 |
| 027 | 911128-8 | Schroef 4X16 P |
| 028 | 183S94-5 | Motorhuisset UH004-009G |
| 029 | 183S94-5 | Motorhuisset UH004-009G |
| 030 | 266326-2 | Tap Schroef 4X18mm P |
| 031 | 266490-9 | Parker Ck 2X6Mm DDF483 P |
| 032 | 629A75-2 | Anker UH004-009G |
| 033 | 652069-6 | Kruiskop Schroef M3X6 |
| 034 | 211157-4 | Kogellager 695ZZ A |
| 035 | 519695-3 | Anker assy UH006/7G |
| 036 | 210005-4 | Kogellager 608Ddw A |
| 037 | 265182-7 | Schroef 5X25 DUH501 P |

| Nr. | Part nr. | Name |
|--------|----------|--------------------------------|
| 038 | 458399-1 | Beschermerkap DUH501 |
| 039 | 458402-8 | Schakelaarhandel F DUH501 |
| 040 | 233222-9 | Drukveer 5 DUH501 |
| 041 | 413791-8 | Handgreep E UH004-009G |
| 042 | 251476-6 | Inbusbout M5X35Mm P |
| 042-1 | 265D13-4 | Inbusbout M5X35Mm A |
| 043 | 253416-0 | Komring 10 DUH501 |
| 044 | 257678-2 | Bus 6 DUH501 |
| 045 | 422260-8 | Rubber bus 8 DUH501 |
| 046 | 213961-7 | O-Ring 22 Hm111Cc |
| 047 | 141C50-5 | Tandwielhuis cpl UH006/7G |
| 047C10 | 263002-9 | Rubber Pen 4 6413 A |
| 047C20 | 424344-8 | Stootbuffer Ms246.4 |
| 048 | 422725-0 | Asbus 8 UH004-009G |
| 049 | 210046-0 | Kogellager 608Zz A |
| 050 | 347361-0 | Frictieplaat DUH501 |
| 051 | 347662-6 | Verbindingsbus DUH604S/754S |
| 052 | 212229-8 | Naaldlager 315 DUH604S/754S |
| 053 | 141C49-0 | Tandwiel cpl UH006/7G |
| 054 | 443159-4 | Afdichting Eh7500S |
| 055 | 141C46-6 | Tandwielhuiskap cpl UH004-009G |
| 056 | 266559-9 | Zeskant bout M6x4 |
| 057 | 922128-3 | Inbusbout M4X16 |
| 058 | 257859-8 | Bus 5 UH006/7G |
| 059 | 265A89-3 | Inbusbout M5x255mm DUN500W |
| 060 | 191R55-5 | Messenset UH006G |
| 060C10 | 199450-5 | Multifunctioneel Vet tube 80g |
| 060C20 | 413794-2 | Geleider R UH007G |
| 060C30 | 413795-0 | Afstandbus R UH006G |
| 060C40 | 915211-3 | Met.Schr. M5X12Mm Ht2350D |
| 060C50 | 347B07-0 | Stootneus Ht5510/Uh45/55/65 |
| 060C60 | 911208-0 | Kruiskopschroef M5X10 A |
| 060C70 | 265C92-6 | Moer M5X8 UH006G/007G |
| 060C80 | 257899-6 | Bus 5mm UH006G/007G |
| 060C85 | 253553-0 | Sluistring 5 UH006G/007G |
| 060C90 | 265C91-8 | Met.schr. M5x22mm UH006G/007G |